

DS-K7P01 Exit Button



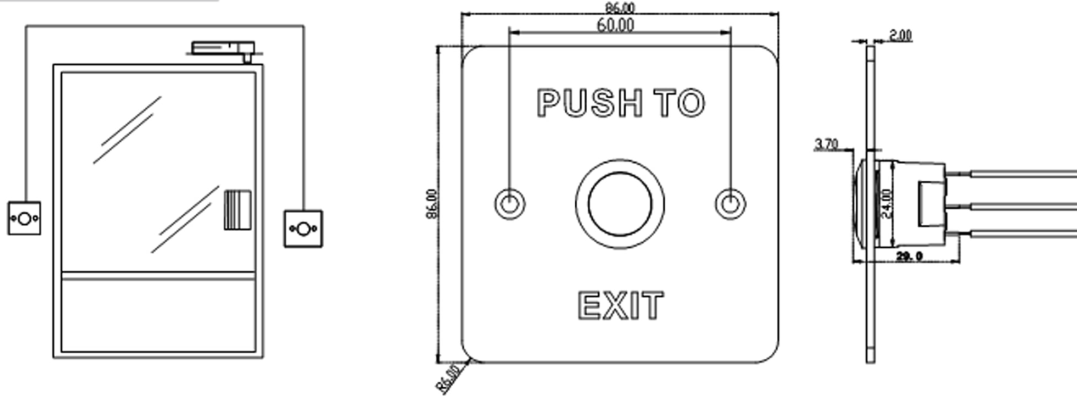
Features

- Dimension (L×W×H): 86mm × 86mm × 28.9 mm (3.39" × 3.39" × 1.14").
- Structure: Aluminum alloy panel, metal button.
- Current Rating: Max. 3 A@36 VDC.
- Output Contact: NO/NC/COM contact.
- Aging Test: Already passed 500 thousand times aging test.
- Suitable Doors: Hollow doorframe and embedded-electric box.
- Working Temperature: -10 °C to 55 °C (14 °F to 131 °F).
- Working Humidity: 0 to 95% (relative humidity).
- Panel: aluminum panel with sandblast.
- Product Weight: 0.25 kg (0.55 lb).



Dimension and Installation

Dimension



Installation

