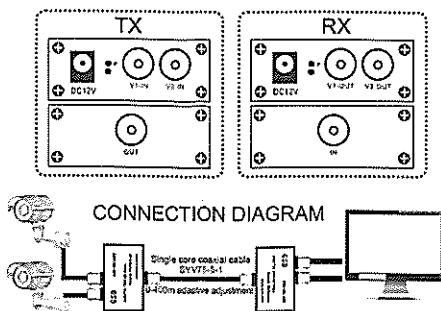


## 2CH HD Coax Video Multiplexer

### 1. Solution and picture



**Warning:** Need to use single core coax cable to ensure the transmission distance

### 2. Overview

It supports 2 channel video signals in one coaxial cable by way of Frequency Division Multiplexing, with all data transmission real-time and all images high-definition and non-delay. It is suitable for improvement of old projects and building under new projects.

### 3. Feature

1. it's designed according to projects with minimum installation volume requirement.
2. 2-CH video in one coaxial cable transmission.
3. FDM technology is easy for multi-channel signals transmission only in one coaxial cable without any delay and interference.
4. Perfect support coaxial video line, 75-3, 75-5, RG59 wire, etc.

### 4. Technical Parameters

Item name	2 Channel coaxial video multiplexer
Compatible mode	AHD/CVI/TVI1080P
Interface	BNC port
Power supply input	DC 12V
Transmission distance	0-400M adaptive
Operating temperature	-30°C-50°C
Shell material	High quality aluminum alloy materials
Product weight	67.5g/pc
Product size	64*43*23mm/pc