

Local Download KIT PC-LINK

PowerSeries
neo



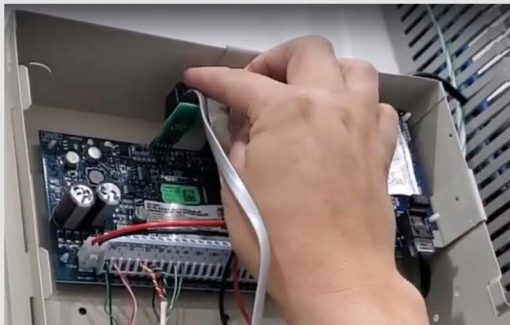
INSTALLATION INSTRUCTIONS

The PCLINK adaptor enables installers to perform on-site programming and firmware upgrades via DLS on supported panels.

IMPORTANT NOTE: This equipment must be installed by service persons (i.e., having the appropriate technical training and experience necessary to be aware of hazards which that person may be exposed to in performing the task, and of measures to minimize the risks to that person or other persons).

CAUTION: The outlet in which this equipment is plugged into shall be near the equipment and easily accessible. The plug of the transformer serves as a means of disconnection from the mains.

WARNING: The PC-LINK 5WP adaptor allows for on-site downloading of the **3G2080E-EU** quickly and easily. The PC-LINK 5WP package includes a PC-LINK 5WP adaptor, a connecting cable, a DB-9 serial connector, a transformer and four international plugs.



Connecting the PCLINK-USB to the Powerseries NEO Control Panel.

1. Locate the 5-pin PC-LINK connector on the control panel.
2. Plug the PCLINK adaptor into the 4 left-most pins of the 5-pin connector, ensuring that the far-right pin marked 'RED' remains open.
3. Align the base of the adaptor to the white line underneath the pins.
4. Attach the connecting cable to the PC-LINK adaptor and to the DB-9 serial connector.
5. Attach the DB-9 serial connector to the USB-serial adaptor, then attach the adaptor to a USB port on the computer to be used for downloading.

• PC-LINK SCW



• PC-LINK SCW USB



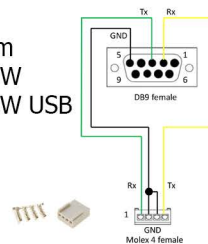
• PC-LINK 5WP



NOTE: The PC-Link 5WP is only compatible with products that have a 5-pin PC-Link header.

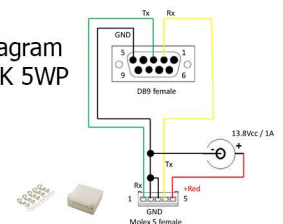
Cable Diagram

- PC-LINK SCW
- PC-LINK SCW USB



Cable Diagram

- PC-LINK 5WP



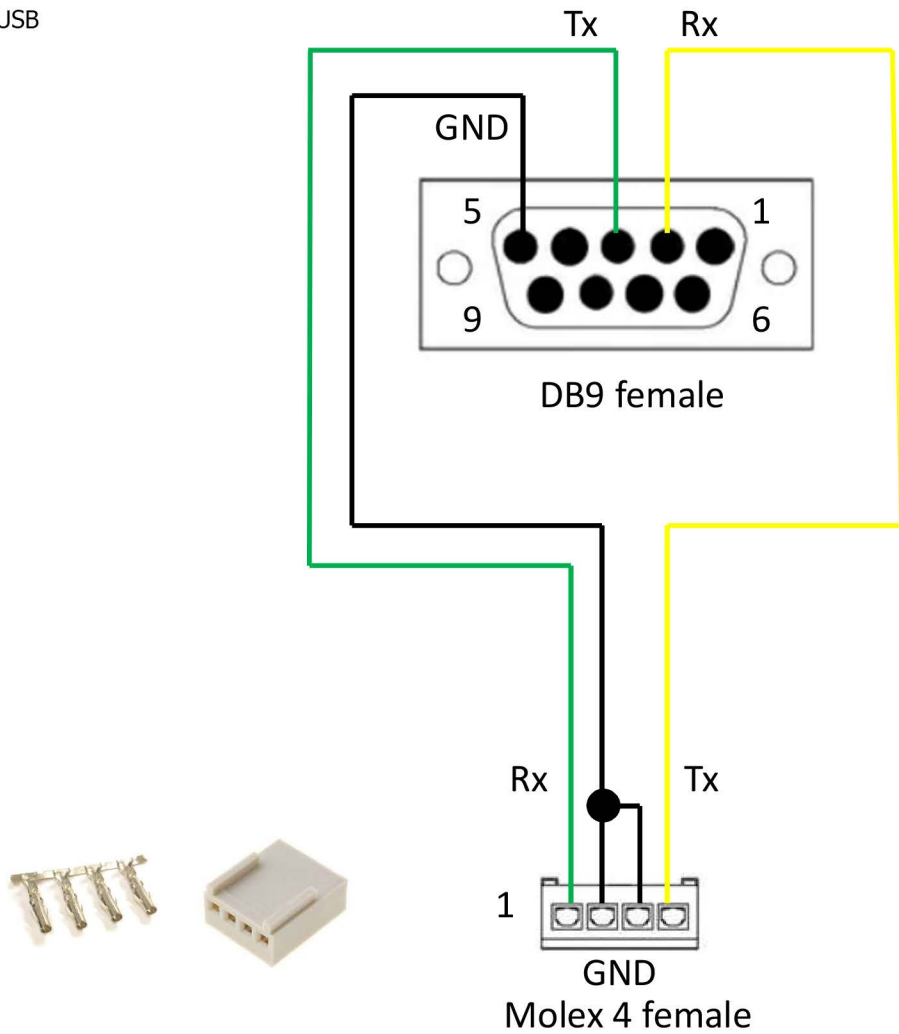
Local Download KIT PC-LINK

PowerSeries
neo



Cable Diagram

- PC-LINK SCW
- PC-LINK SCW USB





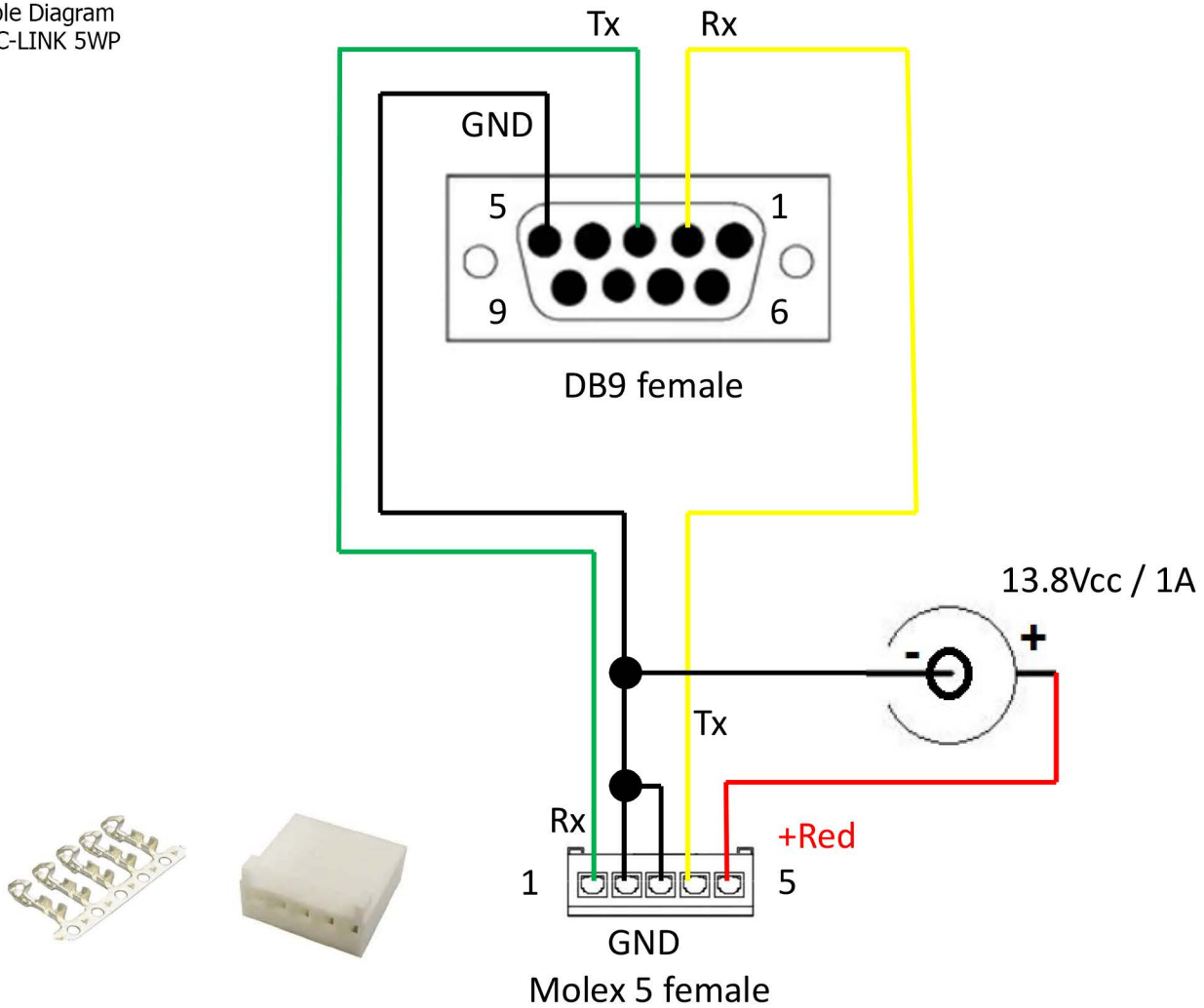
From Tyco Security Products

Local Download KIT PC-LINK

PowerSeries
neo



Cable Diagram
• PC-LINK 5WP



panels, keypads & modules

Contact your DSC distributor
www.dsc.com | 1-905-760-3000