

4MP LightHunter Infrared Intelligent Explosion-Proof Network Turret Camera

EXC7514S-X33-W-VD2



Features

- 316L stainless steel Material, Ex-mark: ATEX: Ex II 2GD Ex db IIC T6 Gb /Ex tb IIIC T80°C Db; IECEX: Ex db IIC T6 Gb /Ex tb IIIC T80°C Db
- Supports multiple deep smart functions: deep perimeter, anomaly detection, people counting
- People counting: supports people flow statistics and personnel density detection, suitable for various application scenarios
- SIP: entry into area, exit from area, intrusion into area, with target classification detection for motor vehicles, non-motor vehicles, and pedestrians
- Equipped with high-sensitivity sensors, meets starlight-level surveillance requirements
- 120db optical wide dynamic range, meets high contrast scene surveillance requirements
- Supports h.265, svc scalable video coding algorithms, higher compression efficiency, flexible applications
- Five stream package capability, meets real-time stream and storage stream requirements for different bandwidths and frame rates
- Supports gateway arp binding, prevents gateway mac address spoofing
- Supports AC220V Power Supply
- High-quality sealed structure, ip68 protection rating
- Supports NEMA 4X

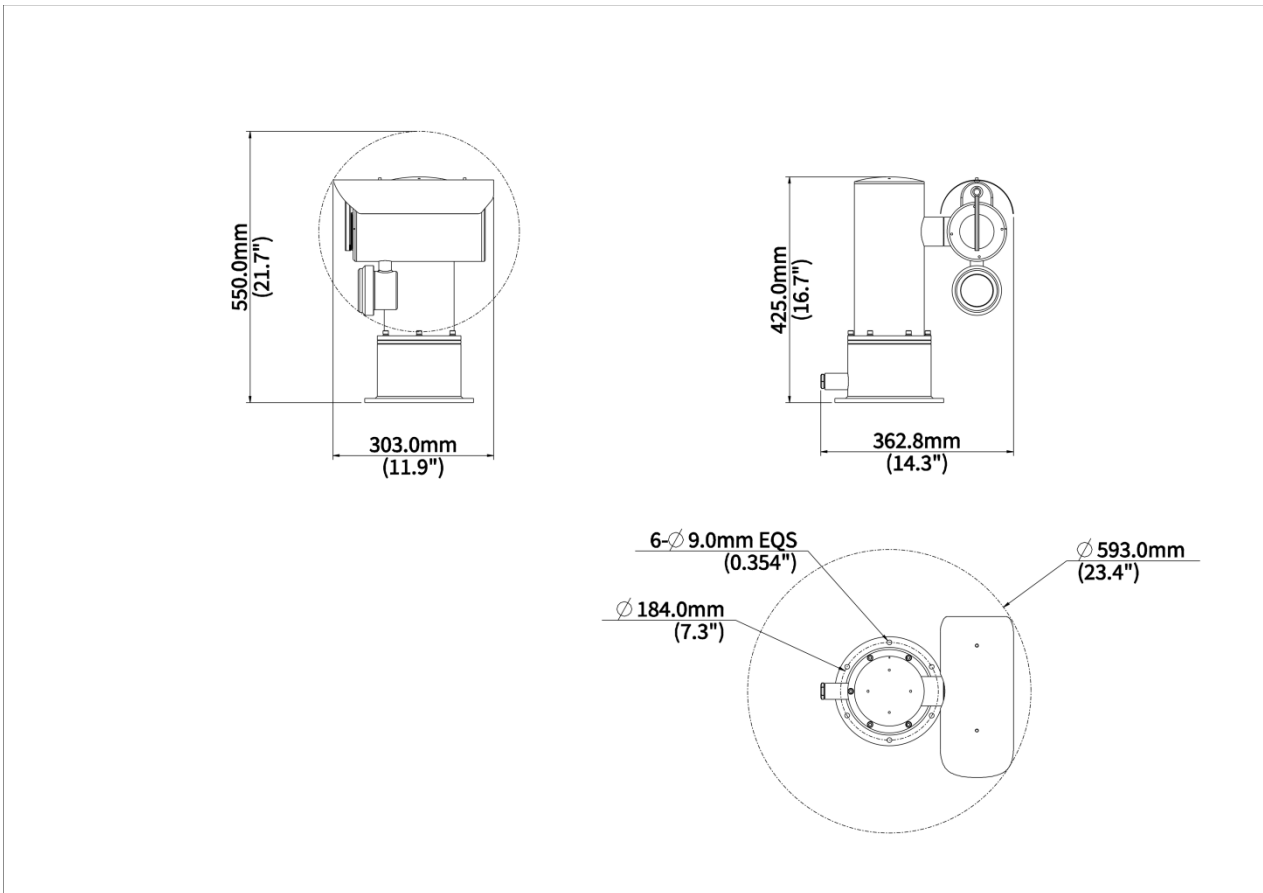
Specifications

Model	EXC7514S-X33-W-VD2
Camera	
Max Resolution	4 MP
Sensor	1/1.8" CMOS
Day/Night	IR-cut filter with auto switch (ICR)
Shutter	Auto/Manual, 1 to 1/100000 s
S/N	> 56 dB
WDR	120 dB
Lens	
Focal Length	6.5 to 214.5 mm
Optical Zoom	33X
Iris	F1.5 to F5.19
Field of View (H)	56.7°~ 2.60°
Field of View (V)	33.8°~ 1.46°
Field of View (D)	66.9°~ 3.20°
DORI	
DORI Distance (Detect)	110.2 m ~ 2668.2 m (361.5 ft ~ 8753.9 ft)
DORI Distance (Observe)	44.1 m ~ 1067.3 m (144.6 ft ~ 3501.6 ft)
DORI Distance (Recognize)	22.0 m ~ 533.6 m (72.3 ft ~ 1750.8 ft)
DORI Distance (Identify)	11.0 m ~ 266.8 m (36.1 ft ~ 875.4 ft)
Illuminator	
Light On/Off Control	Auto/Manual
Illumination Distance (IR)	200 m (656.2 ft.)
Video	
Video Resolution	Main Stream: 4MP (2688×1520): Max.30fps; Sub Stream: 2MP (1920×1080): Max.30fps; Third Stream: D1(720 x 576): Max.30fps; Fourth Stream: D1(720 x 576): Max.30fps; Fifth Stream: D1(720 x 576): Max.30fps;
Video Compression	H.265, H.264, MJPEG
Video Bit Rate	128 Kbps to 16 Mbps
OSD	Up to 10 OSDs
Privacy Mask	24 areas, up to 8 areas per scene
ROI	Support
U-code	Support
Video Stream	Five streams
Image	
White Balance	Auto, Outdoor, Fine tune, Sodium lamp, Locked, Auto2
Digital Noise Reduction	2D/3D DNR
Flip	Normal, Flip vertical, Flip horizontal, 180°
HLC	Support

BLC	Support
Defog	Digital defog
Image Stabilization	EIS (Gyroscope)
Intelligent	
Smart Intrusion Prevention	Cross line detection, intrusion detection, enter area detection, leave area detection (support false alarm filtering and the classification of human, non-motor vehicle and vehicle)
Auto Tracking	Support
Audio	
Audio Compression	G.711U, G.711A
Two-way Audio	Support
Suppression	Support
Events	
Basic Detection	Motion detection, Tampering alarm, Audio detection, Custom Event
General Function	Watermark, IP address filtering, Access policy, ARP protection, RTSP authentication, User authentication, HTTP authentication, Alarm input, Alarm output
Storage	
Edge Storage	Micro SD, up to 512 GB*You are recommended to purchase memory card together with the product if needed. After ordering, the memory card will be installed to product during manufacturing.
Network Storage	ANR, NAS (NFS)
Network	
Protocols	IGMP, SMTP, IPv6, ICMP, ARP, TCP, UDP, DHCP, PPPoE, RTSP, DNS, DDNS, NTP, UPnP, HTTP, 802.1x, SNMP, QoS, SSL/TLS, SSH, IPv4, RTP, RTCP, RTMP, HTTPS
Compatible Integration	SDK, ONVIF (Profile S, Profile G, Profile T, Profile M)
Client	EZStation, UNV-Link, UNV-Link Pro
Web Browser	Plug-in required live view: IE 10+, Chrome 45+, Firefox 52+, Edge 79+
Security	802.1X Authentication (EAP-TLS, EAP-MD5), Digest Authentication for HTTP, Basic and Digest Authentication for RTSP, WSSE and Digest Authentication for ONVIF, Protected Shell, Audit logs, Syslog Over TLS, RTP/RTSP over HTTPS
User/Host	Up to 32 users. 3 user levels: administrator, common user and operator
PTZ	
Home Position	Support
Pan Range	360° (endless)
Pan Speed	0.1°/s ~ 40°/s
Tilt Range	-90° ~ 90°
Tilt Speed	0.1°/s~30°/s
Number of Patrol	16
Snow Removal Mode	Support
Number of Presets (IPC)	1024
Interface	
Serial Port	1 × RS485
Audio I/O	1 Input: impedance 1 kΩ, amplitude 2.5 V [p-p], 1 Output: impedance 600 Ω, amplitude 2 V [p-p]
Alarm I/O	7/2

Network	1 × RJ45 10 M/100 M Base-TX Ethernet
General	
Storage Environment	-40 °C to 60 °C (-40 °F to 140 °F), Humidity: ≤ 95% RH (non-condensing)
Power	AC220V(100~240V)
Power Consumption	84 W
Power Interface	Wires with cold-pressed terminal
Dimensions	428.6 mm× 362.8 mm× 303.11 mm (16.87"× 14.28"× 11.93")
Weight	23.07 kg (50.86 lb)
Working Environment	-40 °C to 60 °C (-40 °F to 140 °F), Humidity: ≤ 95% RH (non-condensing)
Surge Protection	6 KV
Reset Button	Support
RTC	Support
Heater	Support
Certification	
Protection	IP68
EMC	CE EMC: EN 55032 EN IEC 61000-3-2 EN 61000-3-3 EN 50130 FCC
Safety	CE LVD: EN IEC 62368-1 ATEX: EN IEC 60079-0 EN 60079-1 IEC 60079-31 IECEX: IEC 60079-0 IEC 60079-1 IEC 60079-31
Environment	CE RoHS: 2011/65/EU (EU) 2015/863 WEEE: 2012/19/EU
Live View	
Maximum Bandwidth	50 Mbps
OSD Character Number	40
Maximum Bitstream	35
Plugin Free	Support
OSD Font	Vector
OSD Color	Support
3D Privacy Mask	Support
Compliance	
NDA Compliant	Support

Dimensions



Accessories

TR-WM08-L-B

Wall Mounting Bracket for Explosion-proof
Pan-Tilt(316L)



Zhejiang Uniview Technologies Co., Ltd.



<http://www.uniview.com>



overseasbusiness@uniview.com; globalsupport@uniview.com



No. 369, Xietong Road, Xixing Sub-district, Binjiang District, Hangzhou City, 310051, Zhejiang Province, China
(Zhejiang) Pilot Free Trade Zone, China



©2023-2025 Zhejiang Uniview Technologies Co., Ltd. All rights reserved.

*Product specifications and availability are subject to change without notice.

*Despite our best efforts, technical or typographical errors may exist in this document.

Uniview cannot be held responsible for any such errors and reserves the right to change the contents of this document without prior notice.